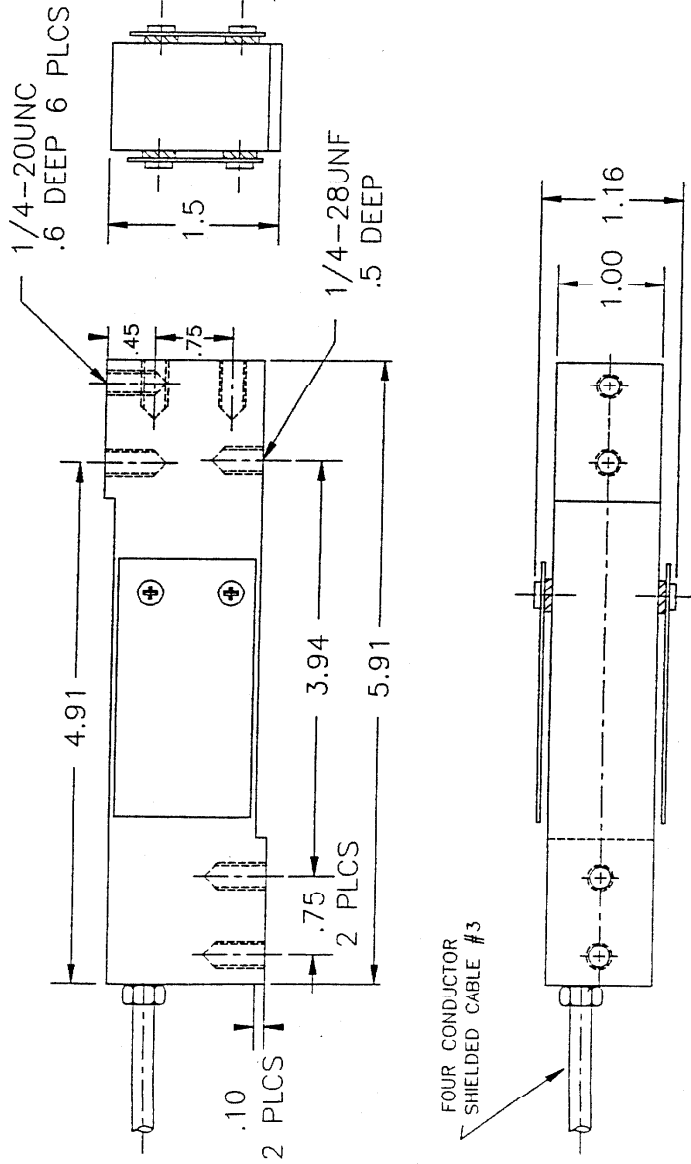


60510 : 10-200 LBS



ELECTRICAL TERMINATION

INPUT
GREEN (+)
BLACK (-)

OUTPUT
RED (+)
WHITE (-)

SHIELD (+/-)

COMPRESSION POSITIVE

REVISION		
LTR	DESCRIPTION	DATE
N/A	NEW RELEASE	12-22-92
A	COMPLETE REVISION	1-5-94

APPROVED
MS
MS

- 3: 10FEET CABLE LENGTH,PVC JACKET
OTHER LENGTH AVAILABLE PER SPECIAL ORDER
- 2: MATERIAL-ALUMINIUM ANODIZED
- 1: BREAK SHARP EDGES

NOTES

UNLESS OTHERWISE SPECIFIED DIMENSIONS ARE IN INCHES.
UNLESS OTHERWISE SPECIFIED DIMENSIONS ARE IN MILLIMETERS.

THESE DRAWINGS AND SPECIFICATIONS CONTAIN INFORMATION CONSIDERED TO BE CONFIDENTIAL AND PROPRIETARY TO ARTECH INDUSTRIES, INC. AND SHALL NOT BE REPRODUCED, COPIED OR USED FOR MANUFACTURE OR SALE OF DEVICES WITHOUT THE WRITTEN APPROVAL OF ARTECH INDUSTRIES, INC.



ARTECH
INDUSTRIES INC.
RIVERSIDE, CA - USA

DATE : 12-22-92	MODEL : 60510
DRAWN BY : M. SANATHIARA	
SCALE : NONE	
APPROVED BY : MS	12/22/92