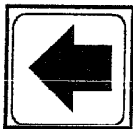
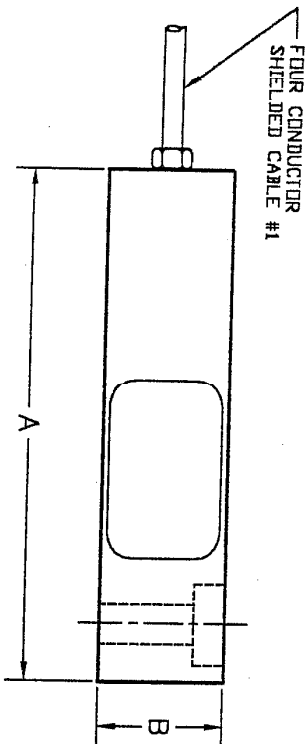
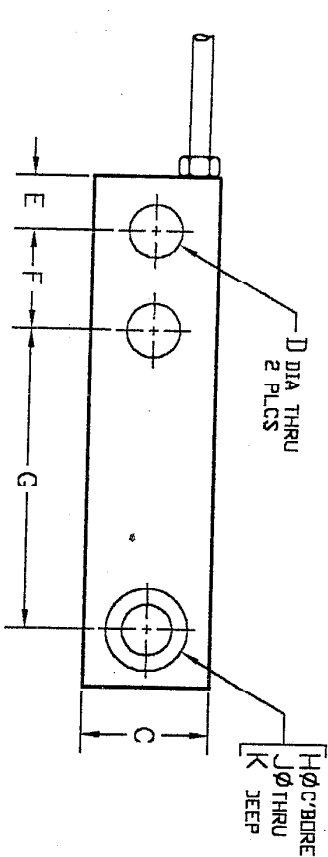


CAPACITY LBS	A	B	C	D	E	F	G	HØ	JØ	K
250 -5K	5.12	1.25	1.25	.53	.60	1.00	3.00	0.875	0.53	0.30
SKLE - 10K	6.75	1.50	1.50	.78	.75	1.50	3.75	1.125	0.78	0.30

LTR.	REVISION	DESCRIPTION	DATE	APPROVED
N/A		NEW RELEASE	02-21-89	
A		COMPLETE REVISION	10-20-92	
B		ADDED QUITER POCKET FOR PLATE WITH RND CORNERS	01-21-98	
C		ADDED PAGE 2 OF 4 FOR GBM	08-08-01	



ELECTRICAL TERMINATION
 INPUT OUTPUT SHIELD
 RED (+) GREEN (+)
 BLACK (-) WHITE (-)
COMPRESSION POSITIVE

- # 4. STD WIRING
- # 3. DIMENSIONS SHOWN ARE IN INCHES
- # 2. MATERIAL : TOOL STEEL - NICKEL/CHROME PLATE
- # 1. 20 FEET CABLE LENGTH, PVC JACKET
- OTHER LENGTH AVAILABLE PER SPECIAL ORDER

NOTES

THESE DRAWINGS AND SPECIFICATIONS CONTAIN INFORMATION TO BE CONFIDENTIAL AND PROPRIETARY BY ARTECH INDUSTRIES, INC. AND SHALL NOT BE REPRODUCED COPIED OR USED FOR MANUFACTURE OR SALE OF APPARATUS OR DEVICES WITHOUT THE WRITTEN APPROVAL OF ARTECH INDUSTRIES, INC.

UNLESS OTHERWISE SPECIFIED DIMENSIONS ARE IN INCHES
 X-418
 XXX-009
 ANGLE: 01-01-90

SCALE : NONE
 DRAWN BY : MANJIT I KAUSHAL
 APP. BY :
 DATE : 02-21-89



30210(CBM)
 71004
 PAGE 2 OF 4