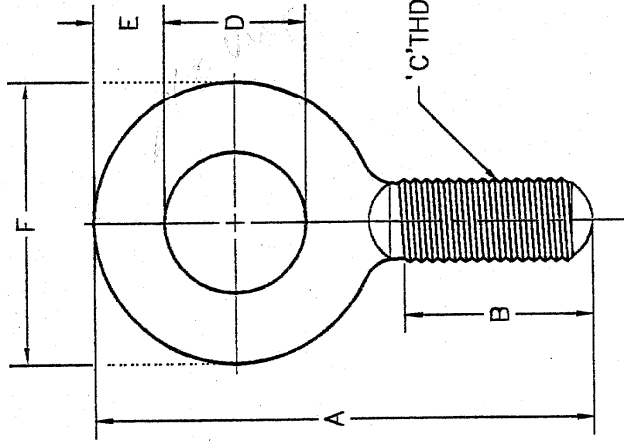


LTR.		REVISION		DATE		APPROVED	
IV/A	NEW RELEASE			02-10-88			
A	ADDED -8 FOR 30K-40K	10-14-88					

DASH No	A	B	'C' THD	D	E	F	USED FOR	CAPACITY	ARTECH P/N
-1	2.25	1.00	1/4-28UNF-2B	0.75	0.25	1.25	WMXII-A	25-30C	60001
-2	3.56	1.50	1/2-20UNF-2B	1.19	0.44	2.06	WMXII-B&C	500-3K	60002
-3	4.81	2.00	3/4-16UNF-2B	1.50	0.66	2.81	WMXII-D	5K-10K	60003
-4	6.06	2.50	1-14UNF-2B	1.81	0.87	3.56	WMXII-E	15K	60004
-5	7.44	3.00	1-1/4-12UNF-2B	2.19	1.12	4.44	WMXII-F	20K	60005
-6	9.00	3.50	1-1/2-12UNF-2B	2.50	1.50	5.50	WMXII-G	30K-40K	60006



MATERIAL : STEEL

3 : EYE BOLT SHOULD BE CLEAR ZN OR CHROME PLATED

2 : STANDARD CATALOG ITEM

1 : BRAKE ALL SHARP EDGES

NOTES

UNLESS OTHERWISE SPECIFIED DIMENSIONS ARE IN INCHES X=018 Y=016 Z=014 ANGULAR=90.30

THESE DRAWINGS AND SPECIFICATIONS CONTAIN INFORMATION TO BE CONFIDENTIAL AND PROPRIETARY TO ARTECH INDUSTRIES, INC. AND SHALL NOT BE REPRODUCED, COPIED OR USED FOR MANUFACTURE OR SALE OF APPARATUS OR DEVICES WITHOUT THE WRITTEN APPROVAL OF ARTECH INDUSTRIES, INC.

ARTECH
INDUSTRIES INC.
RIVERSIDE, CA - USA

DATE : 02-10-88	DATE : 02-10-88
DRAWN BY : I MANJIT	DATE : 10-14-88
SCALE : NONE	APPROVED BY : <i>[Signature]</i>
	33061

UNLESS OTHERWISE SPECIFIED DIMENSIONS ARE IN INCHES X=018 Y=016 Z=014 ANGULAR=90.30